





EFFECTIVE FROM AUGUST 2016

**BFE - Hinge**

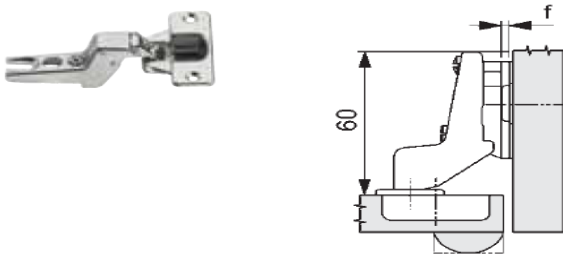
	Description	U/Price(RM)	GST 6%	Total(RM)
	BFE Slide-on hinge (0CR) code: 261A	0.95	0.05	1.00
	BFE Soft-close hinge with Fix MPL (0CR) code: 612A	2.08	0.12	2.20
	BFE Clip-on hinge with soft-close (0CR) code: 609A	3.12	0.18	3.30

	Description	U/Price(RM)	GST 6%	Total(RM)
	BFE Full Ext. Ball Bearing Slide 300mm(Blk) - 12"	10.00	0.60	10.60
	BFE Full Ext. Ball Bearing Slide 350mm(Blk) - 14"	8.40	0.50	8.90
	BFE Full Ext. Ball Bearing Slide 400mm(Blk) - 16"	9.60	0.58	10.18
	BFE Full Ext. Ball Bearing Slide 450mm(Blk) - 18"	10.80	0.65	11.45
	BFE Full Ext. Ball Bearing Slide 500mm(Blk) - 20"	12.00	0.72	12.72

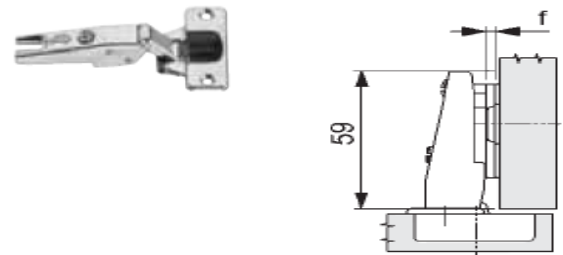


## Nexis Slide - On

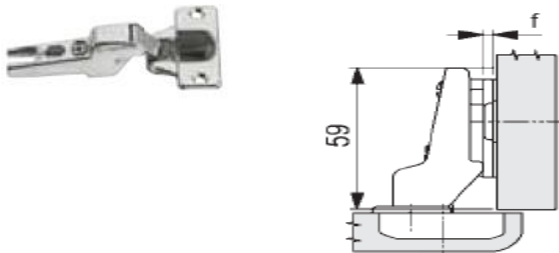
Nexis Slide - On 04 (15CR)  
Opening Angle 100°



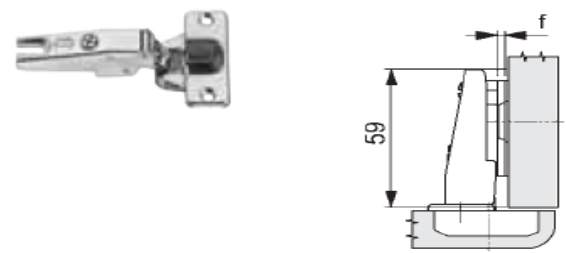
Nexis Slide - On 29 (0CR)  
Opening Angle 125°



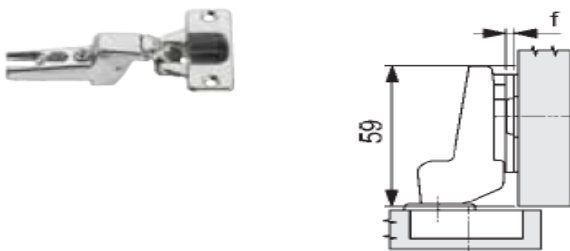
Nexis Slide - On 22 (8CR)  
Opening Angle 110°



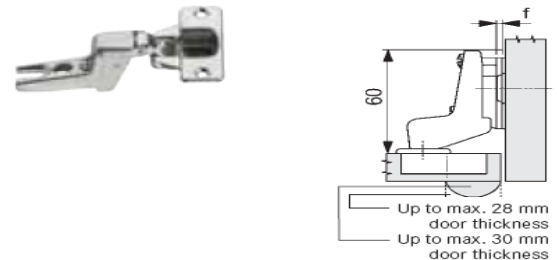
Nexis Slide - On 22 (0CR)  
Opening Angle 110°



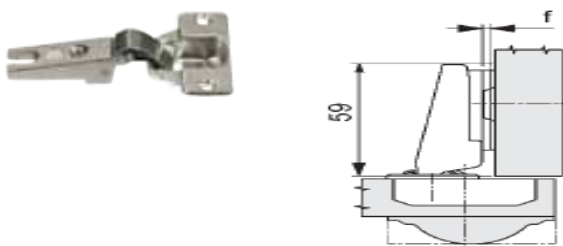
Nexis Slide - On 05 (8CR)  
Opening Angle 95° (Door up to 30mm thick)



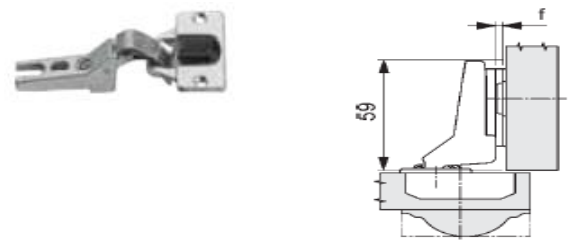
Nexis Slide - On 05 (15CR)  
Opening Angle 95° (Door up to 30mm thick)



Nexis Slide - On 25 (0CR)  
Opening Angle 95° (Door up to 36mm thick)



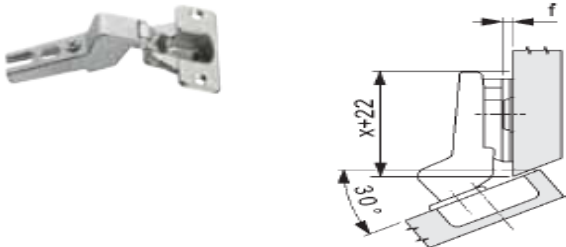
Nexis Slide - On 25 (8CR)  
Opening Angle 95° (Door up to 36mm thick)



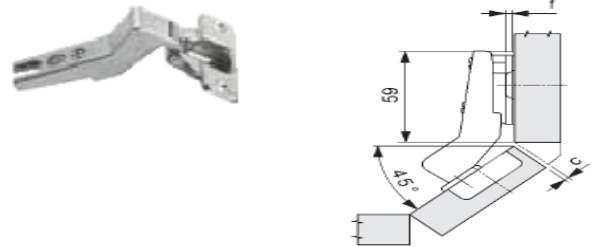


## Nexis Slide - On

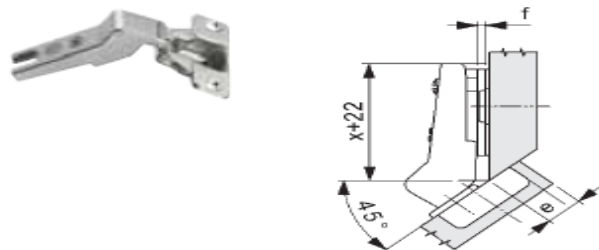
Nexis Slide - On 05 / 03 / 2  
Opening Angle 95°



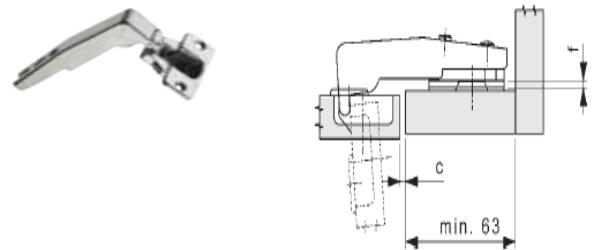
Nexis Slide - On 05 / 45 / 3  
Opening Angle 95°



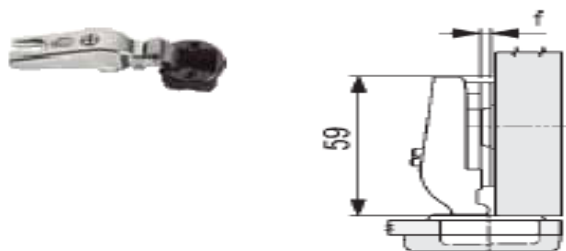
Nexis Slide - On 05 / 45 / 8  
Opening Angle 95°



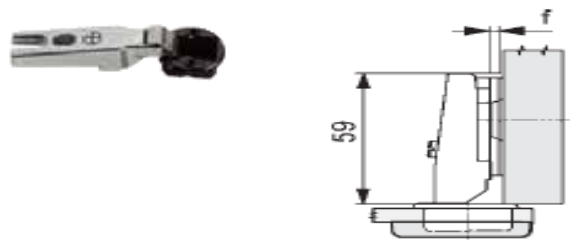
Nexis Slide - On 05 / 90 / 4  
Opening Angle 95°



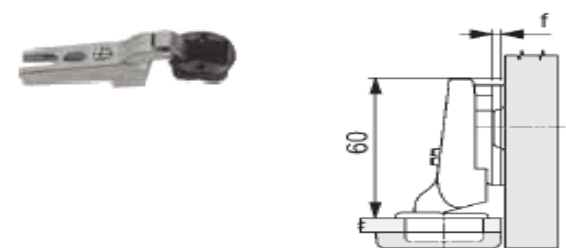
Nexis Slide - On 17 GL (0CR)  
Opening Angle 95°



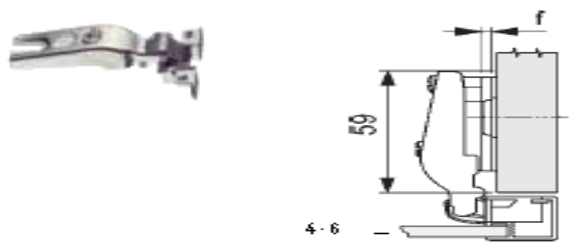
Nexis Slide - On 17 GL (8CR)  
Opening Angle 95°



Nexis Slide - On 17 GL (15CR)  
Opening Angle 95°



Nexis Slide - On 17 AL  
Opening Angle 95°



### BEAUFIX ENTERPRISES SDN BHD (39435-W)

No 68 Jln TSB 9, Kota Damansara, 47000 Petaling Jaya, Selangor

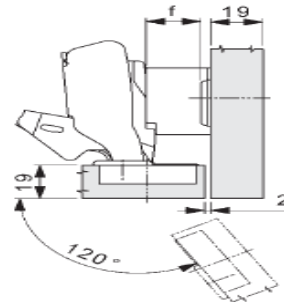
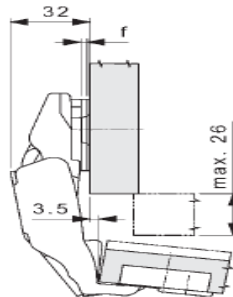
Tel : (603) 6156 6888 Fax : (603) 6157 1818 (Admin) / 6156 1818 (Sales) Website : [www.beaufix.com](http://www.beaufix.com)

Branches Sales Enquiries : Puchong Outlet : (603) 8061 8686, Kuantan (609) 513 2233, Penang (604) 226 8848, Muar (606) 986 9686

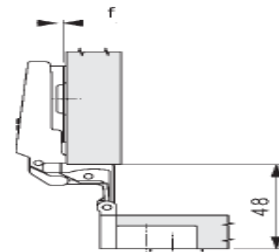
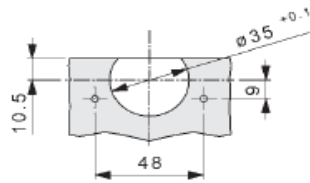


## Nexis Slide - On

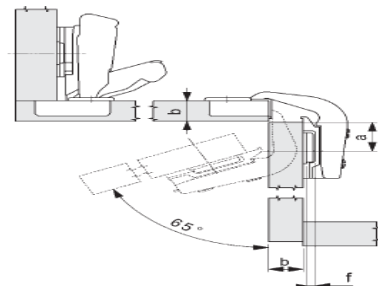
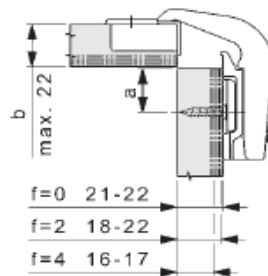
Nexis Slide - On 65  
Opening angle 170°



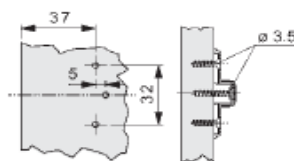
Nexis Slide - On 73  
Opening angle 270°



Nexis Slide - On PCC  
For door thicknesses 14 to 22 mm



Nexis Slide - On Mounting Plates  
Cross mounting plate, 2 point fixing



For screw fixing (Height)

- ▶ 00mm
- ▶ 02mm
- ▶ 04mm

**BEAUFIX ENTERPRISES SDN BHD (39435-W)**

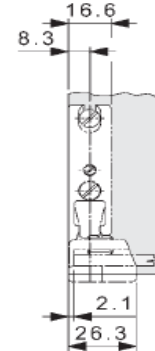
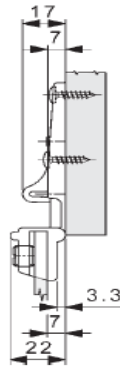
No 68 Jln TSB 9, Kota Damansara, 47000 Petaling Jaya, Selangor

Tel : (603) 6156 6888 Fax : (603) 6157 1818 (Admin) / 6156 1818 (Sales) Website : [www.beaufix.com](http://www.beaufix.com)

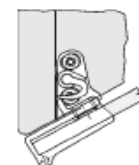
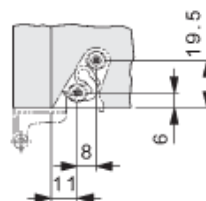
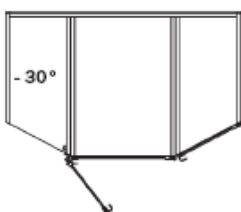
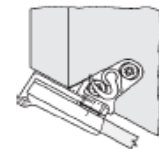
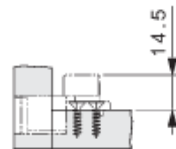
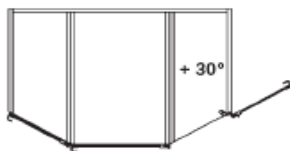
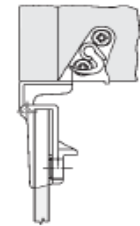
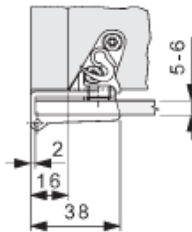
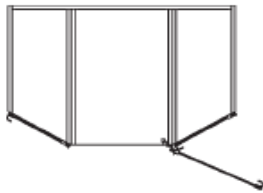
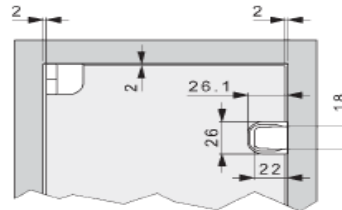
Branches Sales Enquiries : Puchong Outlet : (603) 8061 8686, Kuantan (609) 513 2233, Penang (604) 226 8848, Muar (606) 986 9686

**Special Hinges**

**Glass Door Hinges  
Opening angle 180°**



**Glass Door Hinge +30 / -30  
Opening angle 210°**





# Soft - Close

## Soft - Close

For Nexis click-on & Nexis slide-on 95°, 100°, 110° & 125° hinges

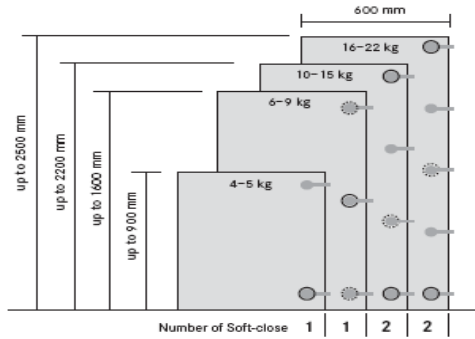


## Soft - Close 170°

For Nexis click-on & Nexis slide-on 95°, 100°, 110° & 125° hinges



Recommended position for Soft-close 170°



○ Recommended position for Soft-close 170°  
 ○ Position for additional Soft-close 170° (where required)

## Soft - Close Pin

Air damper for doors with Nexis



## Soft - Close Pin

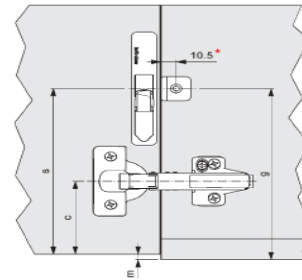
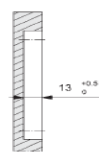
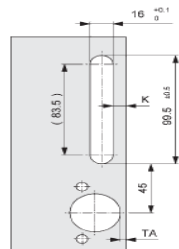
Frame Adapter Plate



## Soft - Close ACC

For framed doors in wood and aluminium

Fitting dimensions

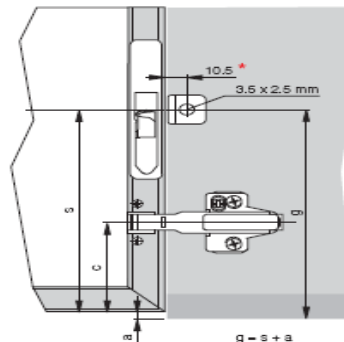
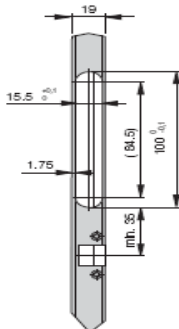


\* Position for Inset door:  
 10.5 mm + door thickness  
 + 2 mm

## Soft - Close AL

For framed aluminium doors

Fitting dimensions



\* Position for Inset door:  
 10.5 mm + door thickness  
 + 2 mm

Do not use any gaskets or silicone at the place where Soft-close AL are fitted.

We recommend a trial fitting.

### BEAUFIX ENTERPRISES SDN BHD (39435-W)

No 68 Jln TSB 9, Kota Damansara, 47000 Petaling Jaya, Selangor

Tel : (603) 6156 6888 Fax : (603) 6157 1818 (Admin) / 6156 1818 (Sales) Website : [www.beaufix.com](http://www.beaufix.com)

Branches Sales Enquiries : Puchong Outlet : (603) 8061 8686, Kuantan (609) 513 2233, Penang (604) 226 8848, Muar (606) 986 9686

**BEAUFIX ENTERPRISES SDN BHD (TEL:03-61566888 FAX:61561818)**

EFFECTIVE FROM JANUARY 2016

**GRASS - HINGE**

<b>DESCRIPTION</b>	<b>U/PRICE (RM)</b>	<b>GST 6%</b>	<b>Total (RM)</b>
FLAP HINGE	18.87	1.13	20.00
GLASS DOOR HINGE 180' (NI) - LEFT	16.98	1.02	18.00
GLASS DOOR HINGE 180' (NI) - RIGHT	16.98	1.02	18.00
GLASS DOOR HINGE 210' (L) - DIS	20.00	1.20	21.20
GLASS DOOR HINGE 210' (R) - DIS	20.00	1.20	21.20
HANDLE 70.1 FOR GLASS DOOR HINGE (NI)	8.57	0.53	9.10
SOFT CLOSE FOR F65 HINGES	18.49	1.11	19.60
SOFT CLOSE FOR CS HINGES	16.51	0.99	17.50
CS 03/15mm HINGE	6.60	0.40	7.00
CS 05/30/2 HINGE	20.00	1.20	21.20
CS 05 95' OCR WITHOUT SPRING	8.49	0.51	9.00
CS 05 95' OCR WITH SPRING	8.96	0.54	9.50
CS 17AL 95' HINGE	15.71	0.99	16.70
CS 22/0mm CLIP-ON HINGE	4.53	0.27	4.80
CS 22/8mm CLIP-ON HINGE	4.81	0.29	5.10
CS 65 170' OCR CLIP-ON HINGE	19.34	1.16	20.50
Nexis Click-On 29/-24 (8CR)	20.75	1.25	22.00
ROUND FANCY COVER - BLACK	2.83	0.17	3.00
FANCY COVER - NICKEL	8.02	0.48	8.50
Nexis SSP Slide-on 05/45/3 (OCR)	17.14	1.06	18.20
SSP 03 100' SLIDE-ON SYSTEM (15CR)	5.47	0.33	5.80
SSP 05/30/2 SLIDE-ON SYSTEM (2CR)	16.98	1.02	18.00
SSP 05/90/4 Slide-on BlindCorner Hinge (4CR)	17.92	1.08	19.00
SSP 05 95' SLIDE-ON SYSTEM (15CR)	8.49	0.51	9.00
SSP 05 95' SLIDE-ON SYSTEM (8CR)	8.30	0.50	8.80
SSP 17 GL 95' SLIDE-ON SYSTEM (OCR)	5.09	0.31	5.40
SSP 17 GL 95' SLIDE-ON SYSTEM (8CR)	5.85	0.35	6.20
SSP 17 GL 95' SLIDE-ON SYSTEM (15CR)	6.23	0.37	6.60
SSP 22 110' SLIDE-ON SYSTEM (0 CR)	3.11	0.19	3.30
SSP 22 110' SLIDE-ON SYSTEM (8 CR)	4.25	0.25	4.50
SSP 25 CUP 40MM (8CR)	11.13	0.67	11.80
SSP 25 CUP 40MM (OCR)	10.38	0.62	11.00
SSP 29 125' SLIDE-ON SYSTEM (OCR)	6.42	0.38	6.80
SSP 65 170' SLIDE-ON SYSTEM (OCR)	17.45	1.05	18.50
SSP 73 270' SLIDE-ON SYSTEM (OCR)	15.94	0.96	16.90
SSP PCC CORNER HINGE SLIDE-ON SYS	20.75	1.25	22.00

**BEAUFIX ENTERPRISES SDN BHD (03-61566888 FAX:61561818)**

EFFECTIVE FROM JANUARY 2016

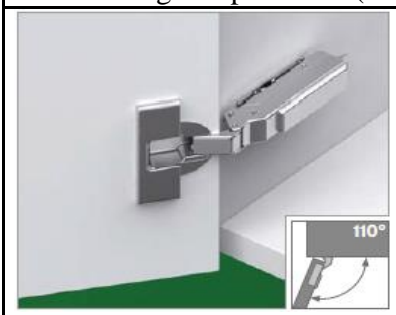
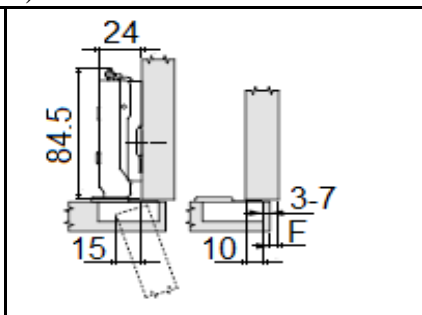
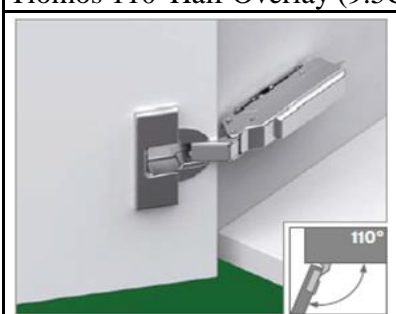
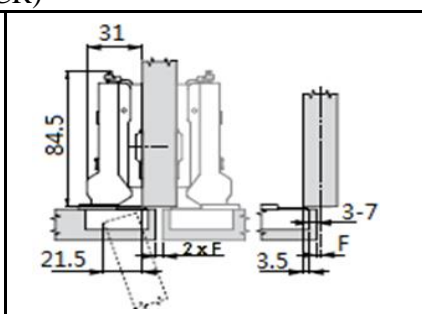

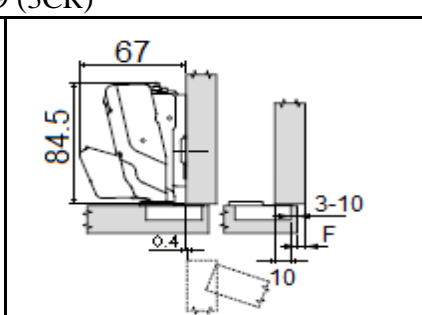

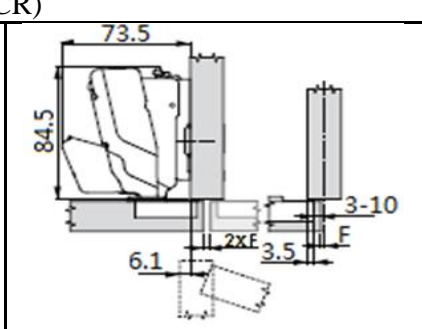
**GRASS - MOUNTING PLATE AND SCREW**

<b>DESCRIPTION</b>	<b>U/PRICE (RM)</b>	<b>GST 6%</b>	<b>Total (RM)</b>
WOOD-SCREWS NI (CS) 0 DIS MPL	1.13	0.07	1.20
2-D CROSS MPL FOR WOOD SCREW FIXING (CS)	4.14	0.26	4.40
CS MPL WITH PREMOUNTED EURO SCREWS	1.60	0.10	1.70
HT. ADJ. SSP MOUNTING PLATE 0 DIS	0.85	0.05	0.90
HT. ADJ. SSP MOUNTING PLATE 2 DIS	1.04	0.06	1.10
HT. ADJ. SSP MOUNTING PLATE 4 DIS	1.13	0.07	1.20
COVER CAP, HINGE ARM FOR SOFT CLOSE	0.36	0.04	0.40
COVER CAP FOR CS HINGE CUP	1.79	0.11	1.90
COVER CAP FOR CS HINGE 0CR (Blank)	0.38	0.02	0.40
<b>Opening Angle Reduction Clip</b>	0.47	0.03	0.50
Soft close for AL	21.70	1.30	23.00
Soft close for ACC	21.70	1.30	23.00
Cover cap for ACC & AL softclose with logo	3.21	0.19	3.40
Universal counter part for AL & ACC softclose	1.89	0.11	2.00
Door Bumper for self-Adhesive 1.5mm (630000/1)	0.21	0.04	0.25
Frame Adaptor For Soft-Close Pin	2.74	0.16	2.90
Softclose Pin with Borehole Cover	15.09	0.91	16.00
<b><u>Mirro Hinge</u></b>			
Nexis Click-On 07 Mirro Hinge 128 with Spring	25.47	1.53	27.00
Nexis Click-On 07 Mirro Hinge 128 w/o Spring	25.00	1.50	26.50
Nexis Click-On Mirro Hinge Adapter	4.62	0.28	4.90
Soft close for Mirro Hinge	21.70	1.30	23.00
Tipmatic Pin for Mirro Hinge	22.64	1.36	24.00
Tipmatic Linear Adapter Plate (Mirro)	2.71	0.19	2.90




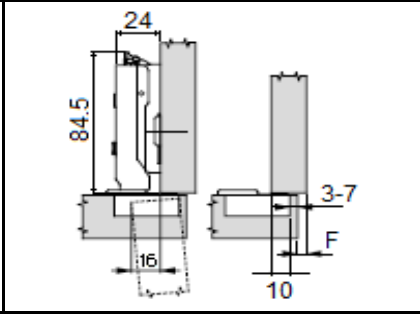
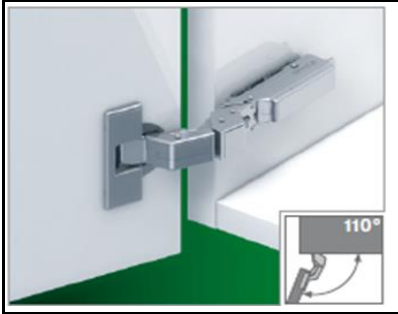
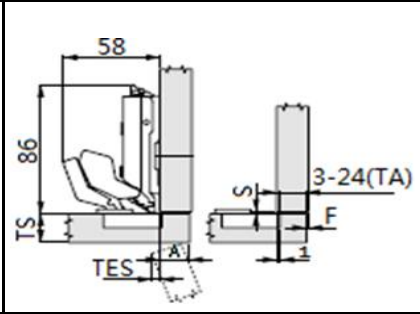

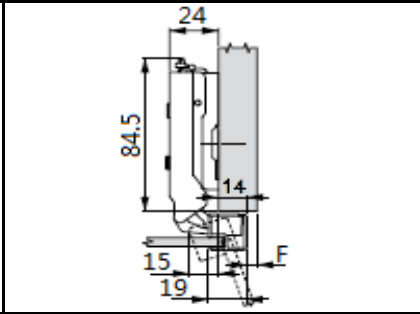

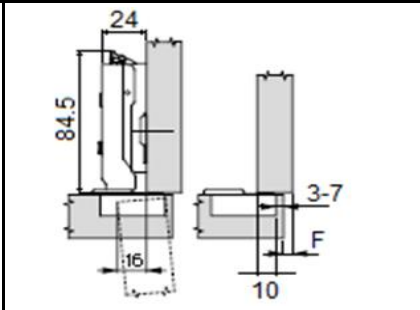
EFFECTIVE FROM JANUARY 2016

**GRASS - TIOMOS HINGE**

Description	U/Price (RM)	GST 6%	Total (RM)	
Tiomos Hinge Clip-on 110' (3CR)				
		14.62	0.88	15.50
Tiomos 110' Half Overlay (9.5CR)				
		17.74	1.06	18.80
Tiomos Hinge Clip-on 160/48/9 (3CR)				
		27.36	1.64	29.00
Tiomos 160' Half Overlay (9.5CR)				
		35.28	2.12	37.40

EFFECTIVE FROM JANUARY 2016

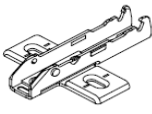
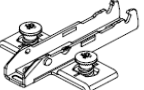
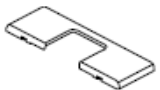
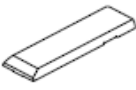

GRASS - TIOMOS HINGE

Description	U/Price (RM)	GST 6%	Total (RM)	
Tiomos Hinge Clip-on 95/48/9 (3CR)				
		17.26	1.04	18.30
Tiomos Hinge Clip-on 110' M9				
		50.00	3.00	53.00
Tiomos Hinge Clip-on 110' AL (3CR)				
		28.68	1.72	30.40
Tipmatic Tiomos 95/48/9				
		11.32	0.68	12.00

\* While stock last.

EFFECTIVE FROM JANUARY 2016

**GRASS - TIOMOS HINGE**

<b>Description</b>	<b>U/Price (RM)</b>	<b>GST 6%</b>	<b>Total (RM)</b>
Tiomos Eco Cross Mounting-Plate 2 Dis 	1.51	0.09	1.60
Tiomos Pre-Assembled Euro Screws MPL - 2 Dis 	2.17	0.13	2.30
Tiomos Hinge Cup Cover Cap 	1.70	0.10	1.80
Tiomos Arm Cover Cap 	0.75	0.05	0.80
Tiomos Hinge Reduction Clip 85' 	2.74	0.16	2.90

**BEAUFIX ENTERPRISES SDN BHD (TEL:03-61566888 FAX:03-61561818)**

EFFECTIVE FROM JANUARY 2016

**GRASS - HINGES FOR TIPMATIC (PUSH OPEN)**






DESCRIPTION	U/Price (RM)	GST 6%	Total (RM)
<b><u>Tipmatic Set for CS 22 110' (0CR)</u></b>			
Tipmatic CS 22 110' 0CR	5.66	0.34	6.00
Wood-Screw NI (CS) 0 Dis MPL	1.13	0.07	1.20
Tipmatic Pin for Wooden & Alu door	33.02	1.98	35.00
Tipmatic Frame Adapter Plate	1.89	0.11	2.00
<b><u>Tipmatic Set for CS 65 170' (0CR)</u></b>			
Tipmatic CS 65 170' (0CR)	18.87	1.13	20.00
Wood-Screw NI (CS) 0 Dis MPL	1.13	0.07	1.20
Tipmatic Pin for Wooden & Alu door	33.02	1.98	35.00
Tipmatic Frame Adapter Plate	1.89	0.11	2.00

**Tipmatic Pin & Adapter**



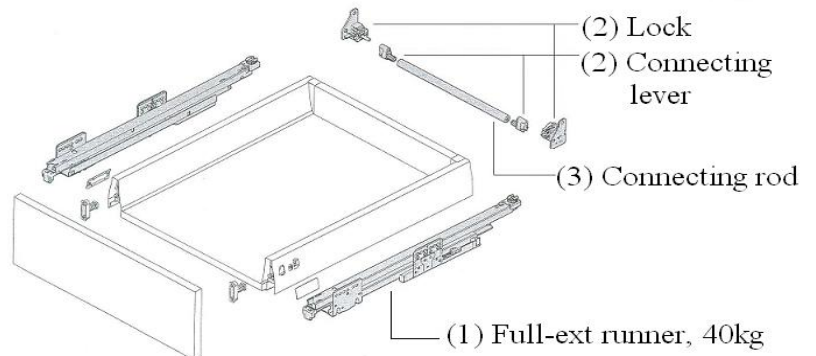
EFFECTIVE JANUARY 2016

GRASS DWD-DYNAMIC XP TIPMATIC PLUS

	Description	U/Price (RM)	GST (6%)	Total (RM)
	<u>DWDXP Tipmatic Plus Standard Drawer w/o steel back</u> T1 - 500mm (40kg)	525.19	31.51	556.70
	<u>DWDXP Tipmatic Plus Pot &amp; Pan Drawer w/o steel back</u> T2 - 500mm (40kg)	577.17	34.63	611.80
	<u>DWDXP Tipmatic Plus Standard Insert Drawer w/o steel back</u> T3 - W: 600mm & below (40kg) T4 - W: 601mm - 1200mm (40kg)	613.87 694.06	36.83 41.64	650.70 735.70
	<u>DWDXP Tipmatic Plus Pot &amp; Pan Insert Drawer w/o steel back</u> T5 - W: 600mm & below (40kg) T6 - W: 601mm - 1200mm (40kg)	728.11 808.30	43.69 48.50	771.80 856.80
	<u>DWDXP Tipmatic Plus Double Railing w/o steel back</u> T7 - 500mm (40kg)	650.75	39.05	689.80








**\* Tipmatic Plus System**

- Dyn XP Tipmatic Plus Full-ext 500mm (40kg)
- Dyn XP Tipmatic Plus Lock
- Dyn XP Tipmatic Plus Connecting Rod 1200mm



EFFECTIVE JANUARY 2016

GRASS DWD-DYNAMIC XP TIPMATIC PLUS - ACCESSORIES

	Description	U/Price (RM)	GST (6%)	Total (RM)
	Steel Drawer Back 300mm (H=86mm)	16.98	1.02	18.00
	Steel Drawer Back 400mm (H=86mm)	21.70	1.30	23.00
	Steel Drawer Back 450mm (H=86mm)	21.70	1.30	23.00
	Steel Drawer Back 500mm (H=86mm)	22.64	1.36	24.00
	Steel Drawer Back 600mm (H=86mm)	23.58	1.42	25.00
	Steel Drawer Back 800mm (H=86mm)	27.36	1.64	29.00
	Steel Drawer Back 900mm (H=86mm)	29.25	1.75	31.00
	Steel Drawer Back 1000mm (H=86mm)	33.02	1.98	35.00
	Steel Drawer Back 1200mm (H=86mm)	42.45	2.55	45.00
		High Steel Drawer Back 300mm (H=182mm)	29.25	1.75
High Steel Drawer Back 400mm (H=182mm)		37.74	2.26	40.00
High Steel Drawer Back 450mm (H=182mm)		37.74	2.26	40.00
High Steel Drawer Back 500mm (H=182mm)		39.62	2.38	42.00
High Steel Drawer Back 600mm (H=182mm)		41.51	2.49	44.00
High Steel Drawer Back 800mm (H=182mm)		50.00	3.00	53.00
High Steel Drawer Back 900mm (H=182mm)		51.89	3.11	55.00
High Steel Drawer Back 1000mm (H=182mm)		65.09	3.91	69.00
High Steel Drawer Back 1200mm (H=182mm)		80.19	4.81	85.00
		Duowing Add-on System (400mm)	84.91	5.09
	Duowing Add-on System (500mm)	92.45	5.55	98.00
	Magic Twin Side Wing For 500mm (Solowing)	35.85	2.15	38.00
	Magic Smart Board	69.81	4.19	74.00
	Variowing Holder Set	47.17	2.83	50.00
	Magic Dividing Set for Cabinet Width 600mm	139.62	8.38	148.00
	Magic Dividing Set for Cabinet Width 1200mm	252.83	15.17	268.00
	Magic Smart Board	69.81	4.19	74.00
	Magic Optima Dividing Profile 600mm	70.75	4.25	75.00
	Magic Optima Dividing Profile 1200mm	141.51	8.49	150.00
	Magic Optima Profile Fixing (Solowing)	33.02	1.98	35.00
	Magic Optima Profile Fixing (Vario & Railing)	23.58	1.42	25.00
	Magic Optima Smart Board - Alu. Grey	56.60	3.40	60.00