

BIF 300

AE2011.20340000 Built-in Refrigerator

RRP	8,700	RRP	9,130
WM RM		EM RM	

- Energy class: A++
- No-frost freezer
- Ventilated refrigerator
- Total gross capacity: 279 liters
- Electric control with LED display
- Double alarm: open door / temperature
- Reversible door - standard hinges on the right
- Size: 540 x 1770 mm
- Climate class: SN/T (tropical +10°C / +43°C)
- Freezing capacity: 7.5kg / 24h
- Power supply: 220-230V - 50Hz

REFRIGERATOR

- Fridge net capacity: 200 liters
- Automatic defrost
- Super-cool quick cooling function
- LED lighting
- Fresh-zone drawer
- Stainless steel wine rack
- 4 glass shelves
- 1 sectioned shelf
- 2 fruit & vegetable drawers
- 4 door shelves
- 1 egg holder (x12)

FREEZER

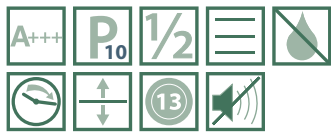
- Freezer net capacity: 62 liters
- Automatic defrost
- Fast-freeze function
- 1 drawer for fast freezing
- 2 drawer for foods storage
- 1 ice cube container



FL 60

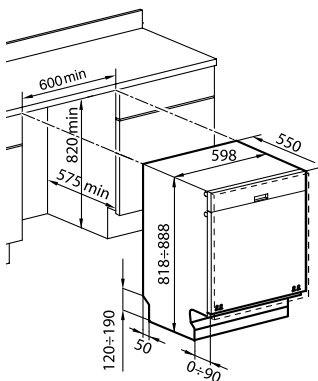
AE3211.29600000 Built-in Dishwashers

RRP 6,900 WM RM EM RM RRP 7,250



- Energy class: A+++
- Washing efficiency: A
- Drying efficiency: A
- Place-setting capacity: 13
- Noise level : 44 dB(a)
- Electronic programming
- Digital panel
- 10 Washing programs: Soaking, crystal, eco, quick, auto, **baby-care**, eco-rapid, delicate rapid, daily clean, intensive rapid
- Third level for washing cutlery baskets
- Elevated lower basket
- Adjustable central basket (3-position button)
- Automatic opening at end of cycle
- Acquastop safety system
- Residual heat drying system
- Distributed half load option
- 24 hour delayed programming
- Sanitation program
- Low salt-rinsing agent indicators
- Setting for all-purpose detergents (3 in 1 button)
- End-of-cycle indicator: Acoustic + floor light
- Hinges with variable fulcrum
- Frontal adjustment of rear feet
- Feet adjustment 0-70mm
- Power rating: 13Amp

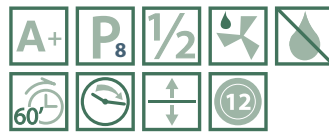
 Technical Drawings



KS 60

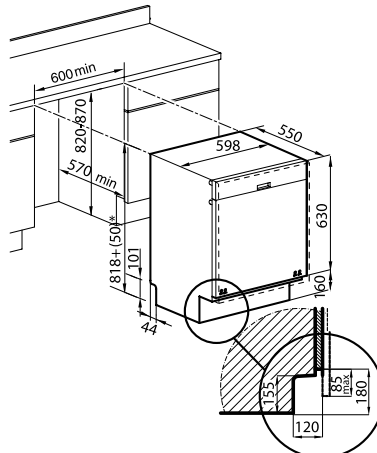
AE3011.29400010 Built-in Dishwashers

RRP 5,200 WM RM EM RM RRP 5,460



- Energy class: A+
- Washing efficiency: A
- Drying efficiency: A
- Place-setting capacity: 12
- Noise level : 48 dB(a)
- Electronic programming
- Digital panel
- 8 Washing programs: Intensive, daily clean, delicate, auto, bio, quick, soaking, **baby care**
- Active drying system (ADS)
- Half load function
- Aquastop safety system
- 1-9 hour delayed programming
- Low salt-rinsing agent indicators
- Upper basket adjustable in height at full load
- Adjustable cutlery basket
- Frontal adjustment of rear feet
- Feet adjustment 0-50mm
- Goblet support
- Power rating: 13Amp

 Technical Drawings



ELETTRA

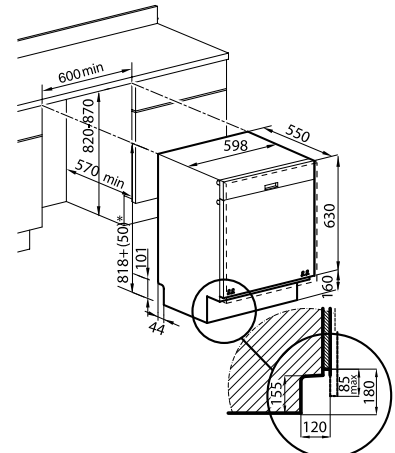
AE3111.29500000 Built-in Dishwashers

RRP 3,990 WM RM EM RM RRP 4,150



- Energy class A+
- Washing efficiency: A
- Drying efficiency: A
- Place-setting capacity: 12
- Noise level : 49 dB(A)
- Electronic programming
- Digital panel
- 5 washing programs: intensive, eco, daily clean, quick, soaking
- Half load function
- Aquastop safety system
- 3-6-9 hour delayed programming
- Low salt-rinsing agent indicators
- Upper basket adjustable in height at full load
- Adjustable cutlery basket
- Frontal adjustment of rear feet
- Feet adjustment 0-50mm
- Goblet support
- Power rating: 13Amp

 Technical Drawings



*While stocks last. **All prices are inclusive of 6% GST ***All offers do not include installation.