

## FR 86 2G AI 4R AL

**AB0412.80020002 Gas Hob**

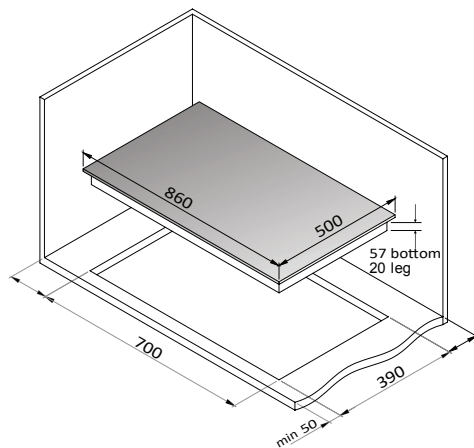
- Built-in gas hob
- Tempered glass (8mm)
- Enamaled matte finishing pan support
- **4 ring burners**
- Total Power: 11.0 Kw  
2 Burner - 5.5 Kw
- Battery auto-ignition
- Auto lock safety device
- LPG
- Dimension: 860x500mm  
Cut-out: 700x390mm

## FR 78 2G AI 4R AL

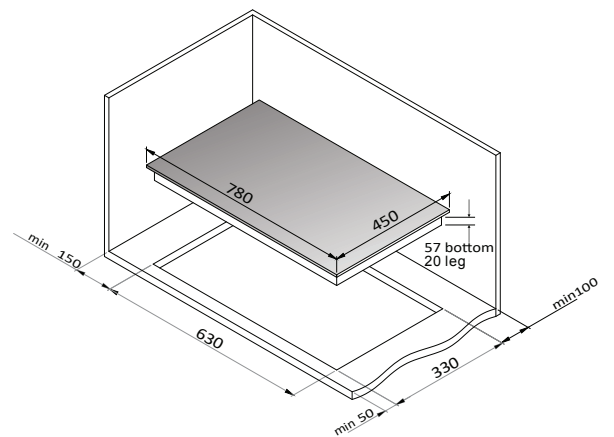
**AB0312.70020002 Gas Hob**

- Built-in gas hob
- Tempered glass (8mm)
- Enamaled matte finishing pan support
- **4 ring burners**
- Total Power: 11.0 Kw  
2 Burner - 5.5 Kw
- Battery auto-ignition
- Auto lock safety device
- LPG
- Dimension: 760x450mm  
Cut-out: 630x330mm

..... [Technical Drawings](#) .....



..... [Technical Drawings](#) .....





## FT 86 3G AI 2TR AL

**AB0012.80120000 Gas Hob**

- Built-in gas hob
- Tempered glass (8mm)
- Cast iron pan support
- 2 Triple ring burners
- Total Power: 12.0 Kw  
2 Burner - 5.0 Kw  
1 Burner - 2.0 Kw
- Battery auto-ignition
- Auto lock safety device
- LPG
- Dimension: 860x500mm
- Cut-out: 700x390mm

## FT 86 2G AI 2TR AL

**AB0112.80020000 Gas Hob**

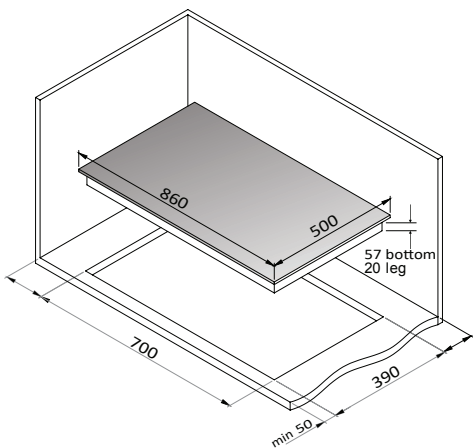
- Built-in gas hob
- Tempered glass (8mm)
- Cast iron pan support
- 2 Triple ring burners
- Total Power: 10.0 Kw  
2 Burner - 5.0 Kw
- Battery auto-ignition
- Auto lock safety device
- LPG
- Dimension: 860x500mm
- Cut-out: 700x390mm

## FT 78 2G AI 2TR AL

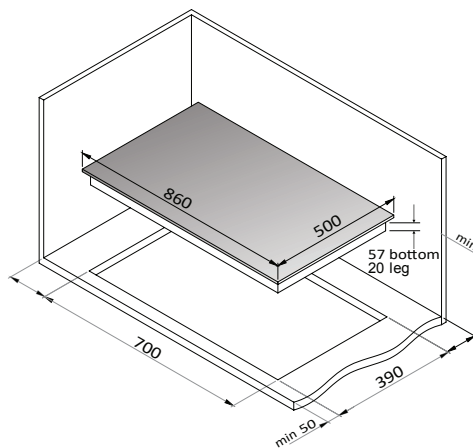
**AB0212.70020000 Gas Hob**

- Built-in gas hob
- Tempered glass (8mm)
- Cast iron pan support
- 2 Triple ring burners
- Total Power: 10.0 Kw  
2 Burner - 5.0 Kw
- Battery auto-ignition
- Auto lock safety device
- LPG
- Dimension: 760x500mm
- Cut-out: 630x330mm

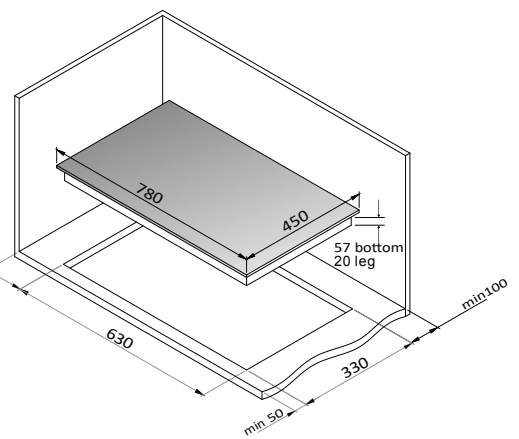
 Technical Drawings

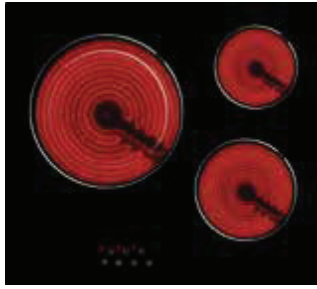


 Technical Drawings



 Technical Drawings





## VC 600

**AB2112.36000000 Ceramic Hob**

- Vitroceramic 60cm
- Material: SCHOOT CERAN® Glass
- Touch control panel
- Frameless glass
- Child safety lock
- Timer
- Residual heat indicator
- 9 Power levels
- 3 Cooking zones
  - 1 x heating element Ø 153mm
  - 1 x heating element Ø 185mm
  - 1 x heating element Ø 280mm
- Maximum nominal power: 5,400 W
- Power rating: 20Amp
- Dimension: 590x520mm
- Cut-out: 560x490mm

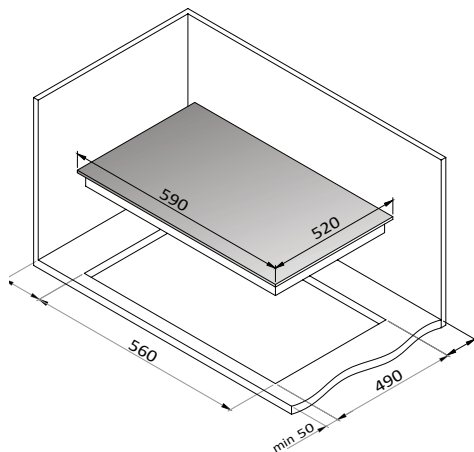


## VC 300

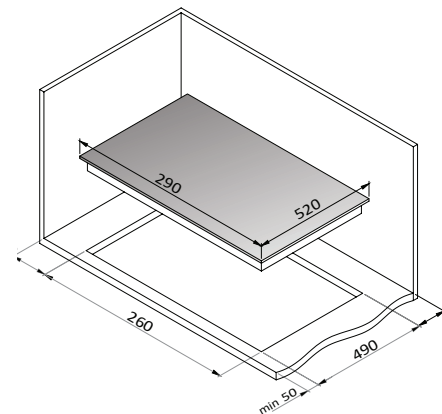
**AB2212.30200000 Ceramic Hob**

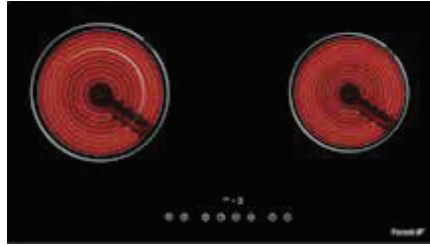
- Vitroceramic 30cm
- Material: SCHOOT CERAN® Glass
- Touch control panel
- Frameless glass
- Child safety lock
- Timer
- Residual heat indicator
- 9 Power levels
- 2 Cooking zones:
  - 1 x heating element Ø 151mm
  - 1 x heating element Ø 187mm
- Maximum nominal power: 3,000 W
- Power rating: 15Amp
- Dimension: 290x520mm
- Cut-out: 260x490mm

.....  Technical Drawings .....



.....  Technical Drawings .....



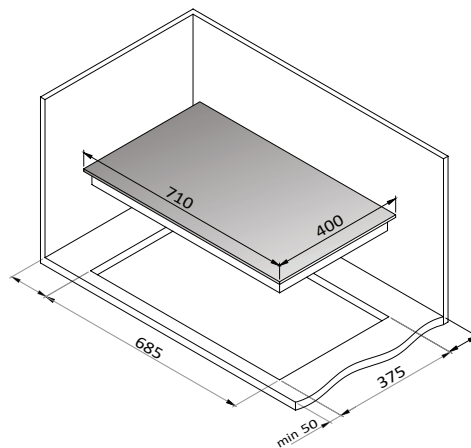


## VC 700

**AB2012.41200000 Ceramic Hob**

- Vitroceramic 70cm
- Material: SCHOOT CERAN® Glass
- Touch control panel
- Frameless glass
- Child safety lock
- Timer
- Residual heat indicator
- 9 Power levels
- 2 Cooking zones
  - 1 x heating element Ø 230mm
  - 1 x heating element Ø 200mm
- Maximum nominal power: 4,200 W
- Power rating: 20Amp
- Dimension: 710x400mm
- Cut-out: 685x375mm

### Technical Drawings





## ID 730

**AB3012.46200000 Induction Hob**

- Induction 70cm
- Material: SCHOOT CERAN® Glass
- Independent Touch control panel
- Frameless glass
- Child safety lock
- Timer
- Residual heat indicator
- 9 Power levels
- 2 Cooking zones:  
2 x heating element Ø 210mm
- Maximum nominal power: 4,600 W
- Power rating: 20Amp
- Dimension: 710x400mm  
Cut-out: 685x375mm

### Technical Drawings

