



ISLAND HOOD



ISLA 90
Island Hood

AA1012.11900000



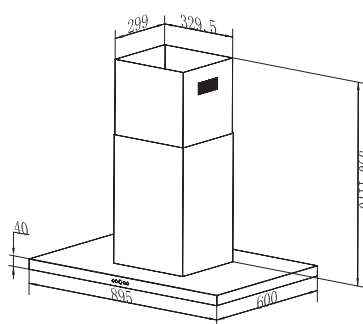
Features

- Island hood with telescopic chimney
- Air flow rate : 1,600m³/h
- Finish : Stainless steel
- Electronic control
- 3 Metal grease filter
- 3 Speeds
- Recycling feature available
- 4x 1.5W LED illumination

Technical data

- Power supply : 220-240V 50-60Hz
- Power rating : 13Amp
- Air exhaust hole : Ø150mm
- Dimension(mm) : 895(W) x 600(D)

.....  Technical Drawings



*Terms and conditions apply. While stocks last. All offers do not include installation.



VETRO 90
Cooker Hood
AA0312.10900000



Features

- Wall-mounted vertical hood with telescopic chimney
- Air flow rate : 1,600m³/h
- Finish : Black mirror
- Filter saturation indicator
- Touch control with digital display
- 1 XL metal grease filter
- 3 Speeds
- **Recycling feature available**
- 2x 1.5W LED illumination

Technical data

- Power supply : 220-240V 50-60Hz
- Power rating : 13Amp
- Air exhaust hole : Ø120/150mm
- Dimension(mm) : 895(W) x 423(D)



CAPPA 90
Cooker Hood
AA0212.16900000



Features

- Wall-mounted chimney hood with telescopic chimney
- Air flow rate : 1,600m³/h
- Finish : Stainless steel
- Filter saturation indicator
- Touch control with digital display
- 3 Stainless steel baffle filters
- 3 Speeds
- **Recycling feature available**
- 2x 1.5W LED illumination

Technical data

- Power supply : 220-240V 50-60Hz
- Power rating : 13Amp
- Air exhaust hole : Ø120/150mm
- Dimension(mm) : 895(W) x 500(D)



NOUVO 90
Cooker Hood
AA1312.18900000



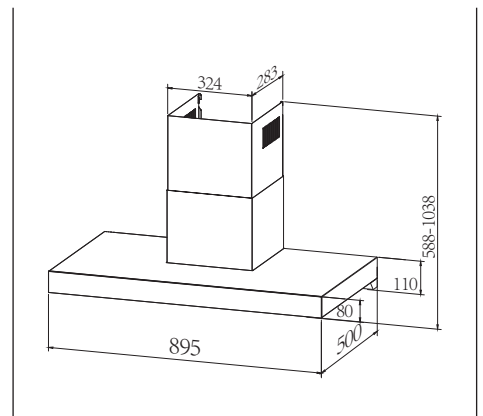
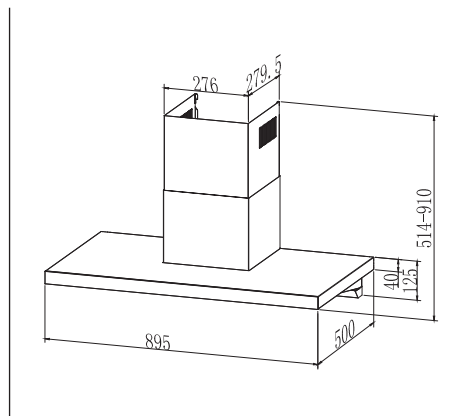
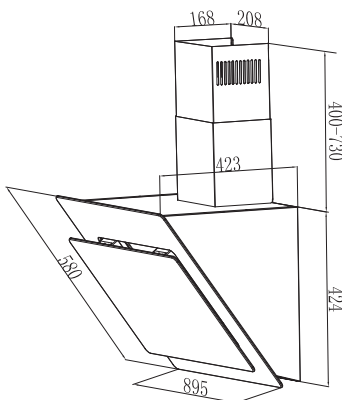
Features

- Wall-mounted chimney hood with telescopic chimney
- Air flow rate : 1,600m³/h
- Finish : Stainless steel
- Filter saturation indicator
- Touch control with digital display
- 3 Stainless steel baffle filters
- 3 Speeds
- **Recycling feature available**
- 2x 1.5W LED illumination

Technical data

- Power supply : 220-240V 50-60Hz
- Power rating : 13Amp
- Air exhaust hole : Ø120/150mm
- Dimension(mm) : 895(W) x 500(D)

 **Technical Drawings**





SOTTILE 90
Cooker Hood

AA0012.09900000



Features

- Wall-mounted chimney hood with telescopic chimney
- Air flow rate : 1,600m³/h
- Finish : Stainless steel
- Filter saturation indicator
- Touch control with digital display
- 3 Grease filters
- 3 Speeds
- **Recycling feature available**
- 2x 1.5W LED illumination

Technical data

- Power supply : 220-240V 50-60Hz
- Power rating : 13Amp
- Air exhaust hole : Ø120/150mm
- Dimension(mm) : 895(W) x 500(D)

CAMINO 90
Cooker Hood

AA0112.13900000



Features

- Wall-mounted chimney hood with telescopic chimney
- Air flow rate : 1,200m³/h
- Finish : Stainless steel
- Filter saturation indicator
- Touch control with digital display
- 3 Grease filters
- 3 Speeds
- **Recycling feature available**
- 2x 1.5W LED illumination

Technical data

- Power supply : 220-240V 50-60Hz
- Power rating : 13Amp
- Air exhaust hole : Ø120/150mm
- Dimension(mm) : 895(W) x 500(D)

ALA 90
Cooker Hood

AA0412.18900000



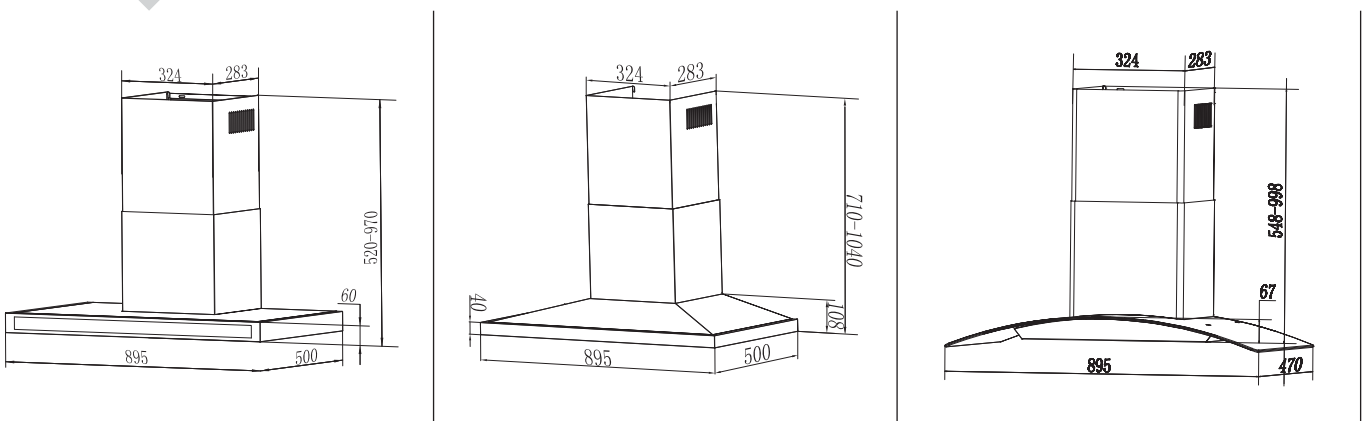
Features

- Wall-mounted chimney hood with telescopic chimney
- Air flow rate : 1,200m³/h
- Finish : Stainless steel
- Filter saturation indicator
- Touch control with digital display
- 2 Grease filters
- 3 Speeds
- **Recycling feature available**
- 2x 1.5W LED illumination

Technical data

- Power supply : 220-240V 50-60Hz
- Power rating : 13Amp
- Air exhaust hole : Ø120/150mm
- Dimension(mm) : 895(W) x 470(D)

..... Technical Drawings



*Terms and conditions apply. While stocks last. All offers do not include installation.



PILANO 90

Pull-out Hood

AA0912.03900000

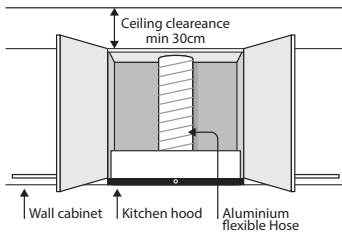


Features

- 90cm pull-out hood
- Air flow rate : 1,300m³/h
- Finish : Stainless steel
- Filter saturation indicator
- Touch control with digital display
- 2 Grease filters
- 3 Speeds
- **Recycling feature available**
- 2x 1.5W LED illumination

Technical data

- Power supply : 220-240V 50-60Hz
- Power rating : 13Amp
- Dimension(mm) : 895(W) x 281(D)



PILANO 60

Pull-out Hood

AA1112.03600000

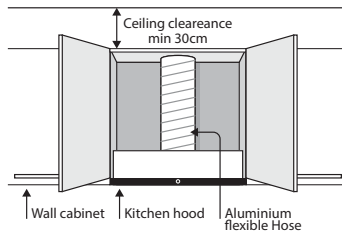


Features

- 60cm pull-out hood
- Air flow rate : 1,300m³/h
- Finish : Stainless steel
- Filter saturation indicator
- Touch control with digital display
- 2 Grease filters
- 3 Speeds
- **Recycling feature available**
- 2x 1.5W LED illumination

Technical data

- Power supply : 220-240V 50-60Hz
- Power rating : 13Amp
- Dimension(mm) : 595(W) x 281(D)



DENTRO 60

Cooker Hood

AA1212.03520000

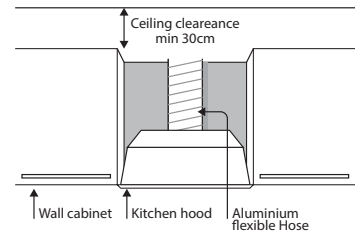


Features

- 60cm built-in hood
- Air flow rate : 1,300m³/h
- Finish : Stainless steel
- Automatic switch on/off
- Push button control panel
- 1 Aluminum grease filter
- 3 Speeds
- **Recycling feature available**
- 2x 1.5W LED illumination

Technical data

- Power supply : 220-240V 50-60Hz
- Power rating : 13Amp
- Dimension(mm) : 525(W) x 291(D)



 **Technical Drawings**

