



Extendo Libell

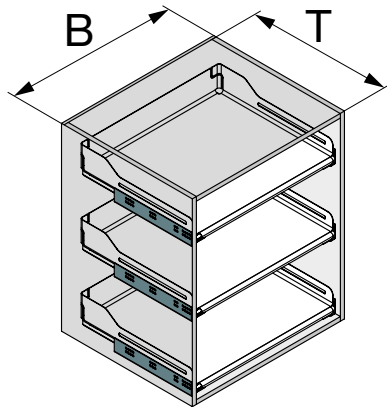
This discreet pull-out shelf looks completely at home in kitchens, dressing rooms, wardrobes and living areas.

- Rounded corners and edges make them easy to clean
- Can also be used in units with sliding doors



- Compatible with any kind of unit – even units with hinged doors or no doors at all
- Easy front access and a complete overview of contents when fully extended
- Great for storing tableware, pots and groceries
- Uses every last inch of space in the unit
- Shelves can be fully extended
- The metal shelves are extremely stable, even when they are very wide
- The shelves rounded corners and edges make them easy to clean

Technical Drawings



B = Unit width	400, 450, 500, 600, 900 mm
T = Interior depth	500 mm

List of Components



- Set includes:
- 1 Extendo Libell shelf
 - 1 Pair of universal adapters
 - GRASS runner
 - 1 Non-slip mat
- Load capacity: 40kg

Code	Surface	Size ^(MM)	
PB0409.13170041	Champagne	600	<i>includes 2 pairs Libell dividers</i>
PB0609.13230041	Champagne	900	<i>includes 3 pairs Libell dividers</i>
PB0009.13090011	White	400	<i>includes Libell Rail</i>
PB0109.13110011	White	450	<i>includes Libell Rail</i>
PB0209.13130011	White	500	<i>includes Libell Rail</i>
PB0309.13170011	White	600	<i>includes Libell Rail</i>
PB0509.13230011	White	900	<i>includes Libell Rail</i>
PB0309.13170012	White	600	<i>includes extra shelf</i>
PB0509.13230012	White	900	<i>includes extra shelf</i>



FIORO Extendo Pull-out Shelf

- Compatible with any kind of unit – even units with hinged doors or no doors at all
- Easy front access and a complete overview of contents when fully extended
- Great for storing tableware, pots and groceries

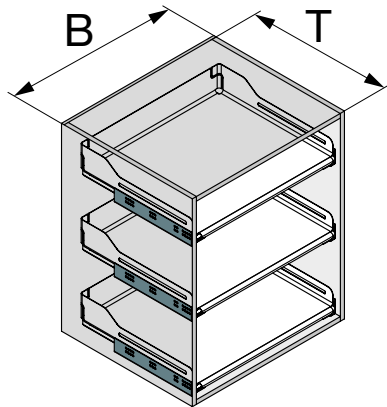


- Compatible with any kind of unit – even units with hinged doors or no doors at all
- Easy front access and a complete overview of contents when fully extended
- Great for storing tableware, pots and groceries



- Uses every last inch of space in the unit
- Shelves can be fully extended
- Can be fitted in any unit
- The metal shelves are extremely stable, even when they are very wide

Technical Drawings



B	= Unit width	600 mm
T	= Interior depth	510 mm

List of Components



Set includes:

- 1 Extendo Fiore shelf
 - 1 pair of universal adapters
 - GRASS runner
 - 1 Wooden rail oak high (H87mm)
 - 1 Non-slip mat
 - 1 Spacer
- Load capacity: 40kg

Code	Type	Surface	Size ^(MM)
PL0009.18560070	Fiore	Anthracite	600