



## Magic Corner Flex

The unit front and the shelves attached to it swing out to the side and the back shelves automatically slide out of the corner to the front of the unit.

- Corner unit offering optimum use of space and excellent sliding properties
- Get the most storage space out of a tight corner
- All shelves can easily be removed for cleaning and clipped back in

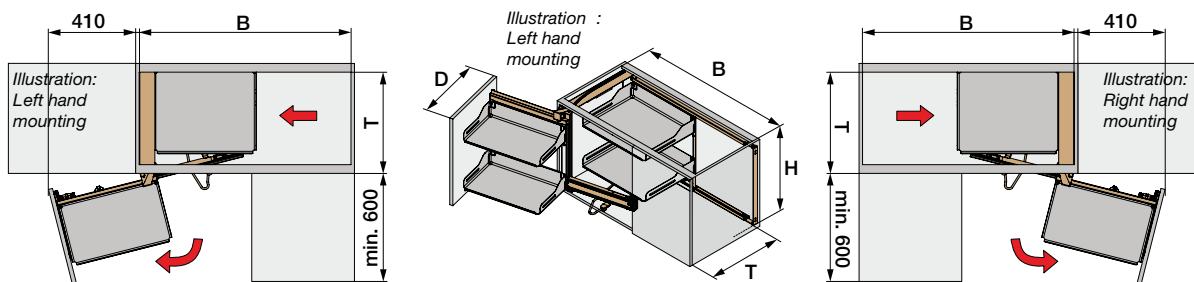


- Just swing the front panel and the front shelves to one side and the back shelves automatically slide forwards
- Ideal for storing tableware and groceries



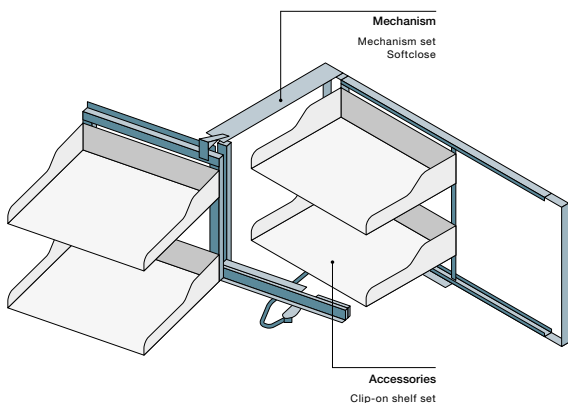
- The Flex corner unit's doors immediately turn to the side, circumventing the furniture handle on the neighbouring side panel

### Technical Drawings



B = Interior width	860 - 971 mm
T = Exterior width	500 mm
H = Interior height	535 mm
D = Door width	500 mm

### List of Components



Set includes:

- 1 Back-wall frame
- 1 Swivel frame
- 1 Soft-close
- 1 Front bracket
- 1 Swiveling lever set of assembly material
- Load capacity: (per clip-on component) Front: 7 kg / Back: 9 kg
- 4 Libell shelves or 4 Chrome shelves or 2 Chrome shelves + 2 shatter-proof poly-carbonate trays combination
- 4 Non-slip mats

Code	Type	Surface	Direction
PC6009.06920011	Libell	White	Left
PC6109.06920011	Libell	White	Right



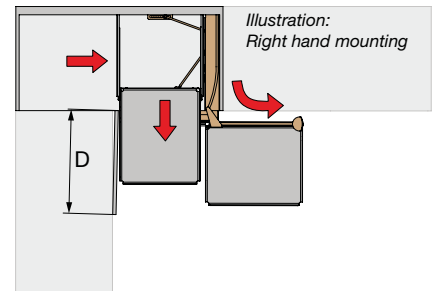
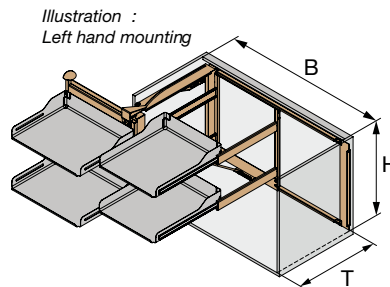
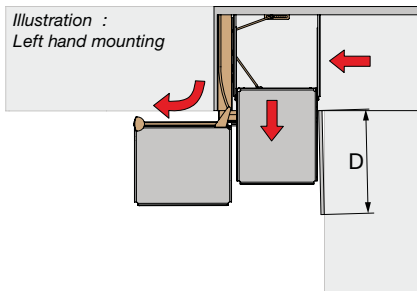
## Magic Corner Comfort

- All of the shelves can be pulled right out of the unit for easy access
- Maximum use (over 80%) of the storage space available in a corner unit
- The shelves and fittings form an integrated unit
- Integrated soft-closing mechanism
- The shelves rounded shape and curved corners make them easy to clean



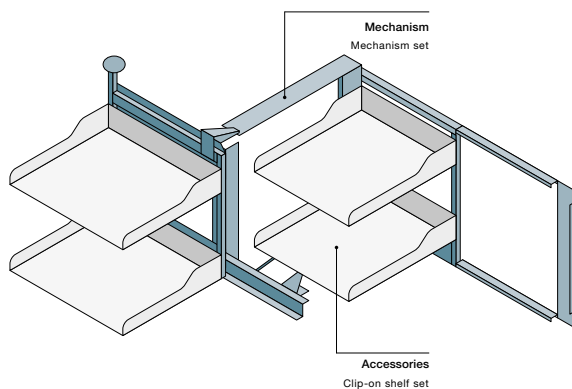
- Just open the doors and pull on the handle to make the front shelves swing right out of the unit
- The back shelves can be pulled out individually for easy loading and unloading
- The perfect solution for storing tableware, pots and pans
- Excellent access and a clear overview across the entire storage space from three sides
- Makes optimal use of the available space
- Integrated soft-closing mechanism
- The front shelves can easily be removed for cleaning and clipped back into place
- For hinged doors: the hinges can be on the right or the left

### Technical Drawings



B = Interior width	862 - 971 mm
T = Exterior width	500 mm
H = Interior height	545 mm
D = Door width	500 mm

### List of Components



- Set includes:
- 1 Back-wall frame
  - 2 Soft-close (side and back-wall frame)
  - 1 Pull-out frame with height-adjustable handle
  - 1 Swivel lever set of assembly material
  - 4 clip-on Libell shelves
  - Cross connectors and deflection clips
  - 4 Non-slip mats
- Load capacity (per clip-on component)  
Front: 10 kg / Back: 8 kg

Code	Type	Surface	Direction
PD6009.06960011	Libell	White	Left
PD6109.06960011	Libell	White	Right



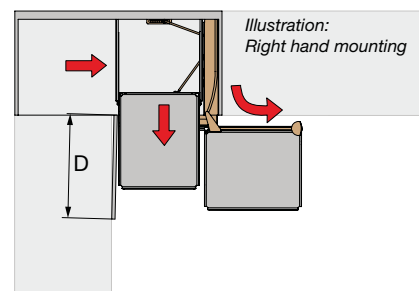
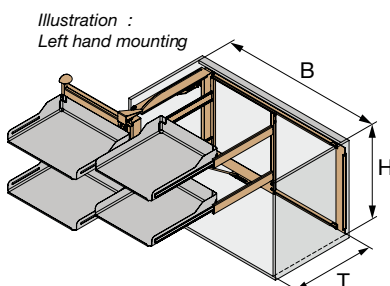
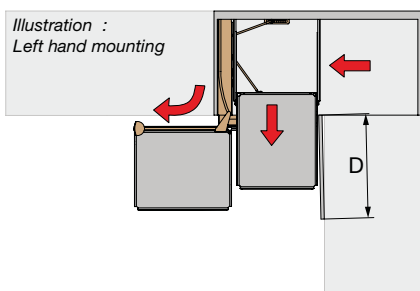
## FIORO Magic Corner Comfort

- Just open the unit doors to make the unit's contents glide out smoothly
- The universal larder unit pull-out for kitchens, living rooms and dressing rooms



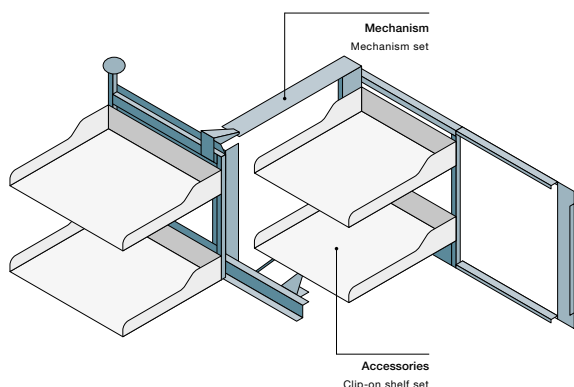
- Just open the doors and pull on the handle to make the front shelves swing right out of the unit
- The back shelves can be pulled out individually for easy loading and unloading
- The perfect solution for storing tableware, pots and pans
- Excellent access and a clear overview across the entire storage space from three sides
- Makes best use of the available space
- Integrated soft-close soft-closing mechanism
- The front shelves can easily be removed for cleaning and clipped back into place
- For hinged doors: the hinges can be on the right or the left

### Technical Drawings



B	= Interior width	862 - 971 mm
T	= Exterior width	500 mm
H	= Interior height	545 mm

### List of Components



- Set includes:
- 1 Back-wall frame
  - 2 Soft-close (side and back-wall frame)
  - 1 Pull-out frame with height-adjustable handle
  - 1 Swivel lever set of assembly material
  - 4 Clip-on FIORO shelves
  - Cross connectors and deflection clips
  - 4 wooden rails oak medium (H52mm)
  - 4 Non-slip mats
- Load capacity (per clip-on component)  
Front: 10 kg / Back: 8 kg

Code	Type	Surface	Direction
PM0309.05830070	Fioro	Anthracite	Left
PM0209.05820070	Fioro	Anthracite	Right