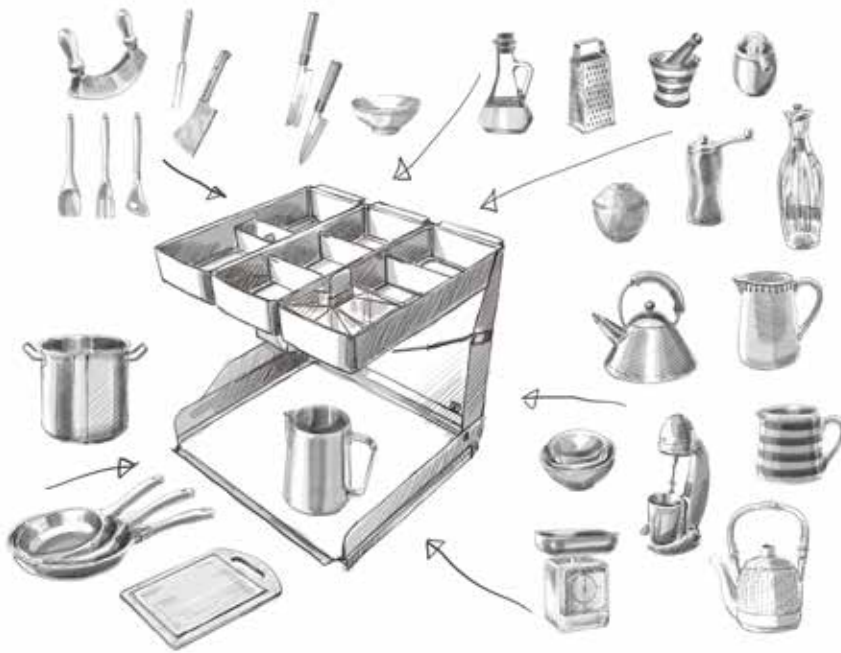




Kitchen Tower

The base unit pull-out offering excellent accessibility and a clear overview from three sides and from above. The utensils that you use daily should always be within easy reach!

- Automatically slides out of the unit when the door is opened
- Easy to access from 3 sides and from above
- May be installed on the left or right side
- Cooking utensils and ingredients always at hand



- Compact design for efficiently storing your most-used kitchen utensils in one place
- Glides out of the unit automatically when you open the door
- An excellent overview and access to unit contents from three sides

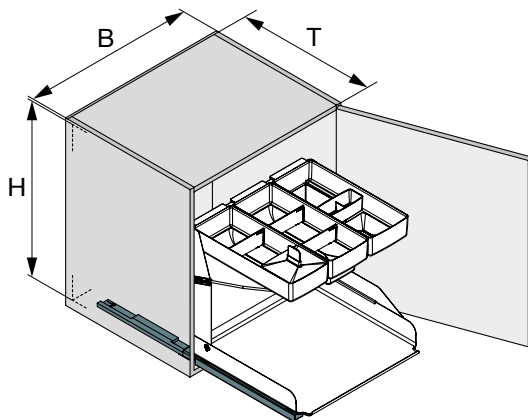


- A stable, durable system designed for daily use
- Can be mounted on the right or left, making it especially user-friendly



- Removable dispenser with a transparent lid for storing spices or small, loose items
- Special sections for kitchen knives, wooden spoons and chopping boards

Technical Drawings



B	= Unit width	600 mm
T	= Interior depth	500 mm
H	= Interior height	560 mm

List of Components



- Set includes:
- 3 Upper-level trays including dividers and a 4-section spice dispenser, 4 magnetic dividers
 - 1 Non-slip mat
 - 1 Chopping board holder
 - 1 Full-extension runner including soft-close
 - 1 Door fitting
 - May be installed on the left or right

Code	Surface	Size ^(mm)
PB8109.16010010	White	600



Snello

The base unit pull-out with closed, removable storage shelves for widths of 150 and 300mm.

- Excellent access from both sides
- Applicable for 2 litre plastic bottles
- Full-extendable runner with soft-close function
- Non-slip mat included



- Special pull-out for narrow base units
- Great for storing spices, cleaning materials or bottles

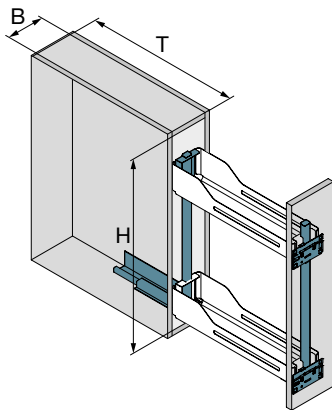


- Makes optimal use of space in small kitchens
- A great solution for those small spaces around the sink or cooker



- The shelves are easy to remove for cleaning
- The closed shelves stop bottles from toppling and small items from falling through
- The whole unit moves smoothly and quietly

Technical Drawings



B	= Unit width	150, 300 mm
T	= Interior depth	475 mm
H	= Interior height	520 mm

List of Components



- Set includes:
- 2 Clip-on Libell shelves
 - 2 Soft-close (top and bottom)
 - 2 Pairs of dividers
 - 2 Non-slip mats
- Load capacity:
Type 150mm: 15 kg
Type 300mm: 20 kg

Code	Surface	Size ^(MM)	
PB4109.12720011	White	150	<i>includes 2 pairs of divider and non-slip mat</i>
PB4109.12830011	White	300	<i>includes 2 pairs of divider and non-slip mat</i>



Porter

Base unit pull-out system for gas tanks, rice bags, bottle crates and others

- Standard pull-out
- Integrated deflector wheels on left and right
- Mounted on the base of the unit
- Load Capacity: 100kg

Code	Size(MM)
PB8209.03950030	350





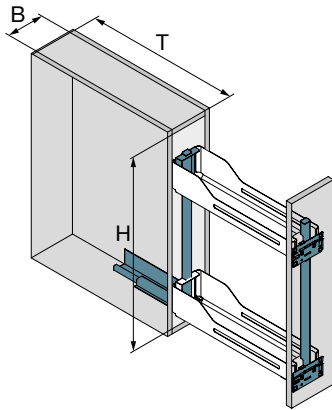
FIORO Snello Pull-out

- Special pull-out for narrow base units
- Makes optimal use of space in small kitchens
- A great solution for those small spaces around the sink or cooker



- Special pull-out for narrow base units (150, 300 mm)
- Great for storing spices, cleaning materials or bottles
- Makes optimal use of space in small kitchens
- A great solution for those small spaces around the sink or cooker

Technical Drawings



B	= Unit width	150, 300 mm
T	= Interior depth	475 mm
H	= Interior height	520 mm

List of Components



- Set includes: **4x**
- 2 Clip-on Fioro shelves
 - 4 Wooden rails oak high (H87mm)
 - 2 Soft-close (top and bottom)
 - 2 Non-slip mats
- Load capacity:
150mm: 15 kg
300mm: 20 kg

Code	Type	Surface	Size ^(MM)
PL4009.18640070	Fioro	Anthracite	150
PL4009.18660070	Fioro	Anthracite	300